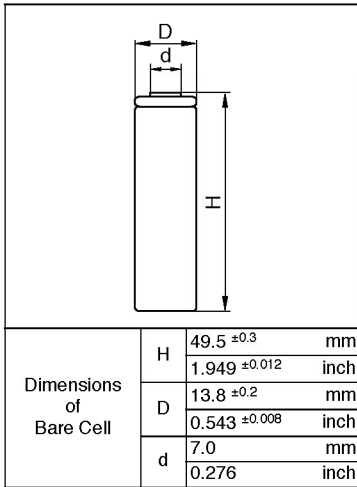


SANYO

Cadnica

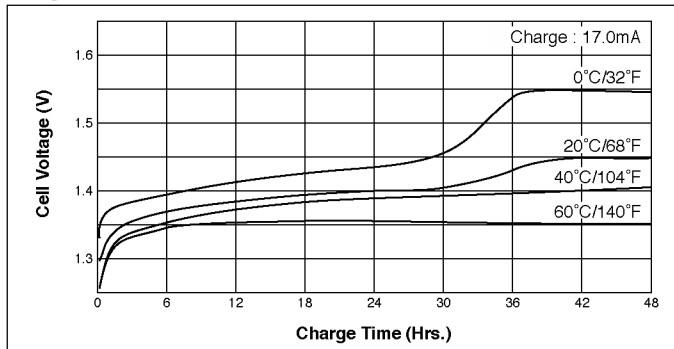


Cell Type N-550AAS Specifications

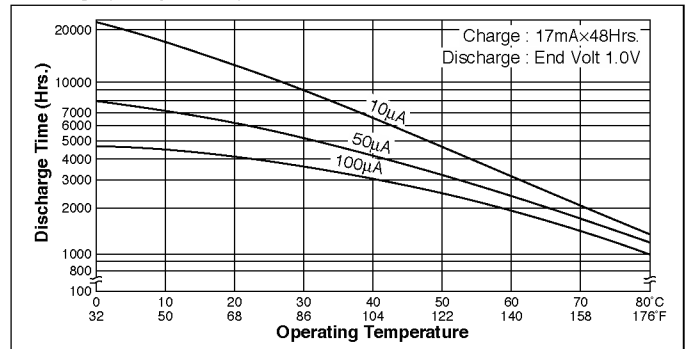
Nominal Capacity		500mAh
Nominal Voltage		1.2V
Standard Charging Current		17.0mA
Charging Time		above 48Hrs.
Ambient Temperature	Charge	0°C to +80°C [+32°F to 176°F]
	Discharge	-20°C to +80°C [-4°F to 176°F]
	Storage	-30°C to +80°C [-22°F to 176°F]
Internal Impedance (Av.) (at 50% discharge)		21.0mΩ (at 1000Hz)
Weight		22g/0.78oz
Dimensions(D)×(H) (with tube)		14.3 ⁰ _{-0.5} × 50.2 ⁰ ₋₁ mm 0.56 ⁰ _{-0.02} × 1.98 ⁰ _{-0.04} inch

Typical Characteristics

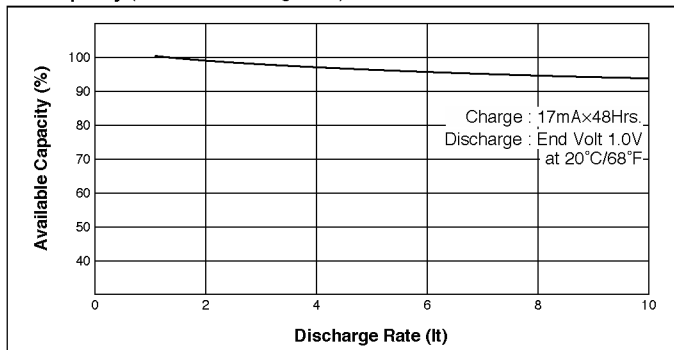
Charge



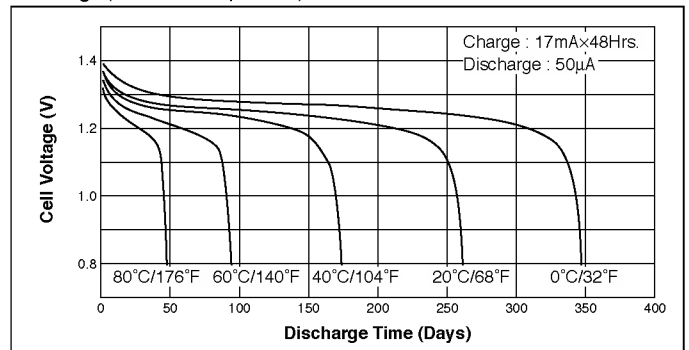
Discharge (at very low rate)



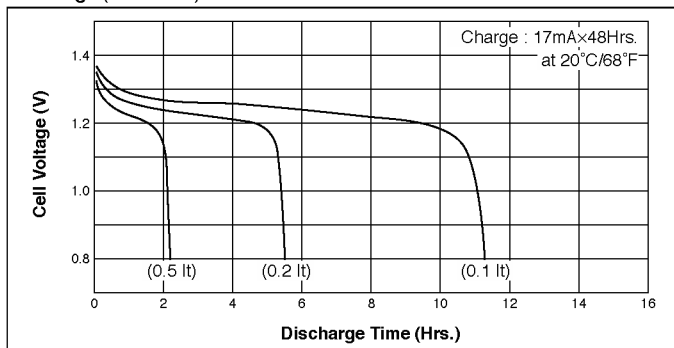
Cell Capacity (at various discharge rate)



Discharge (at various temperature)



Discharge (at low rate)



Temperature (Charge & Discharge)

